

THIS DRAWING IS UNPUBLISHED. RELEASED FOR PUBLICATION FEB ,2006.  
 © COPYRIGHT 2006 BY TYCO ELECTRONICS CORPORATION. ALL RIGHTS RESERVED.

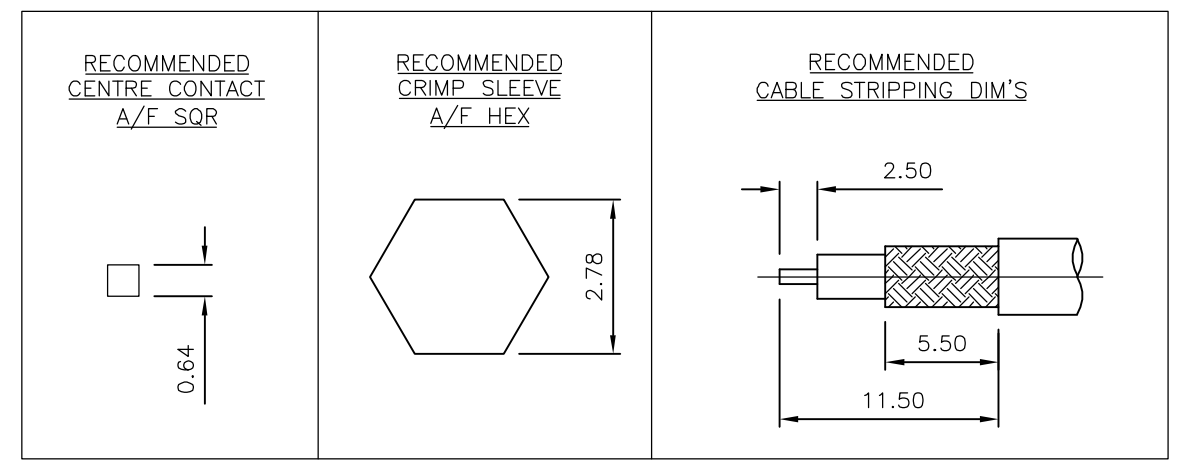
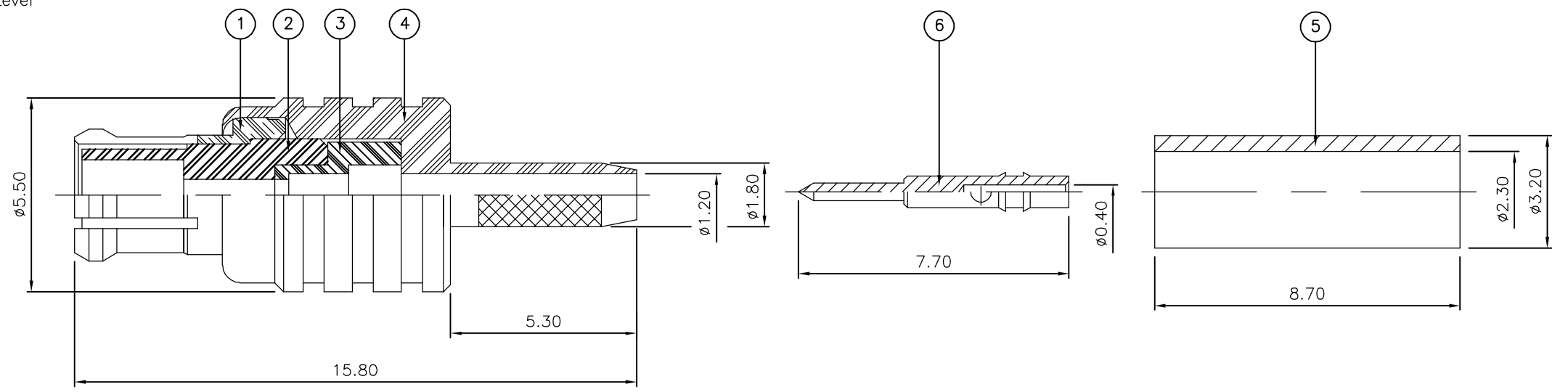
LOC	DIST	REVISIONS			
P	LTR	DESCRIPTION	DATE	DWN	APVD
E	B	C	ECR-06-002568	02FEB06	JMS FWK

- NOTES:
- 1 PACK IN ACCORDANCE WITH AMP SPEC 107-3275
  - 2 100 TRAY PACK IN ACCORDANCE WITH AMP SPEC 107-3275
  - 3 Au PLATING
  - 4 HAND TOOL : 9-1478240-0
  - 5 DIE SET : 9-1478248-0
  - 6 ELECTRICAL CHARACTERISTICS
 

FREQUENCY RANGE:	DC - 6 GHz
NOMINAL IMPEDANCE:	50 Ohm
INSULATION RESISTANCE:	1000 MOhm
WORKING VOLTAGE:	335 Volts RMS at Sea Level
DIELECTRIC WITHSTAND VOLTAGE:	1000 Volts RMS Max
CONTACT RESISTANCE:	
CENTRE CONTACT:	5.00 mOhm Max
OUTER CONTACT:	1.00 mOhm Max
VSWR @ 4GHz:	1.35:1 Max
INSERTION LOSS dB @ x 1.0 GHz:	0.10 Max
  - 7 MECHANICAL CHARACTERISTICS
 

COUPLING NUT RETENTION FORCE:	N/A
CABLE RETENTION FORCE:	
"RG174A/U, 188A/U, 316/U, URM95:"	85N Min
"RG178B/U, 196A/U:"	25N Min
DURABILITY:	500 Cycles Min
  - 8 ENVIRONMENTAL CHARACTERISTICS
 

OPERATING TEMPERATURE:	-65 to +165 DegC
------------------------	------------------



THIS DRAWING IS A CONTROLLED DOCUMENT.

DIMENSIONS:	TOLERANCES UNLESS OTHERWISE SPECIFIED:
mm	
0 PLC	± -
1 PLC	± -
2 PLC	± -
3 PLC	± -
4 PLC	± -
ANGLES	± -
FINISH	-

MATERIAL: SEE TABLE

DWN	J.SANDWELL	02FEB06
CHK	S.PARLOW	02FEB06
APVD	F.WHEELER-KING	02FEB06
PRODUCT SPEC	-	
APPLICATION SPEC	411-3247	
WEIGHT	-	

QTY	ASSEMBLY	MATERIAL	DESCRIPTION	ITEM
1	1	BRASS	CONTACT	6
1	1	BRASS	FERRULE	5
1	1	BRASS	BODY	4
1	1	POLYPROPYLENE	INSULATION	3
1	1	PTFE	INSULATION	2
1	1	BERYLLIUM COPPER	CHASSIS	1
6--0	1--0	MATERIAL	DESCRIPTION	ITEM

QUANTITY PER ASSY: 6

PARTS LIST

THIS DRAWING IS A CONTROLLED DOCUMENT.

DWN: J.SANDWELL 02FEB06  
 CHK: S.PARLOW 02FEB06  
 APVD: F.WHEELER-KING 02FEB06

NAME: Tyco Electronics Corporation, Bideford EX39 4HE

PRODUCT SPEC: MCX STRAIGHT PLUG CRIMP 50 OHM RG178B/U, 196A/U, URM110

APPLICATION SPEC: 411-3247

WEIGHT: -

SIZE: A3, CAGE CODE: 00779, DRAWING NO: 1337579

RESTRICTED TO: -

CUSTOMER DRAWING

SCALE: NTS, SHEET: 1 OF 1, REV: C